

Plastic Snap Bushing

These plastic snap bushings are widely used on the surface of panels of cabinets or boxes that fill into the hole of the panel, and its open type design can be adapted all different size cables to be fixed and not easy to sway.



Material: UL listed Nylon PA66

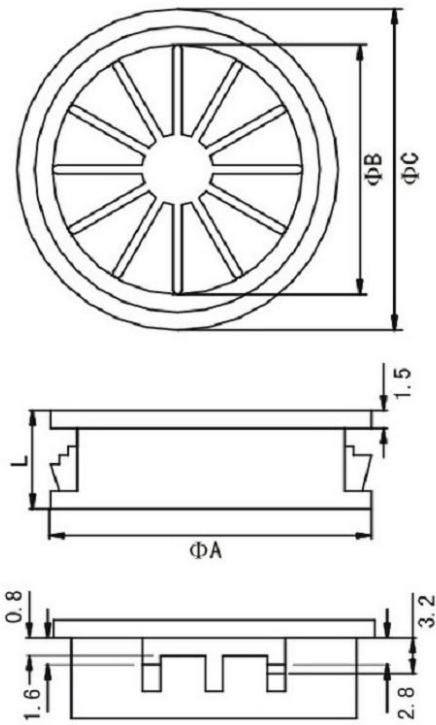
Color: Black, white is available

Flame Class: 94V-2

Feature: The open type design can be adapted all different size cables to be fixed and stable.

Application: Apply to under the thickness of 3.2mm of the panel.

Physical Drawing:



Specification:

unit: mm

Item No.	Mounting Hole A	B	C	L	Packing
EHR-16	15.9	11.1	18.3	10.3	100pcs
EHR-19	19.0	12.7	21.8	9.9	
EHR-21	20.6	12.7	22.6	9.9	
EHR-22	22.2	18.0	25.5	11.5	
EHR-25	25.3	20.4	28.5	11.3	
EHR-28	27.6	22.4	30.8	11.3	
EHR-35	34.2	29.3	37.5	11.3	