

These Rubber Feet are widely applied to the base of cabinets, electric appliances, instruments and machines. With screws to fix them that can make such machines more stable, safe, anti-skip. And it also can decrease the shock, anti-pressure, and wear resistant.

PARAMETER

×

RUBBER FEET

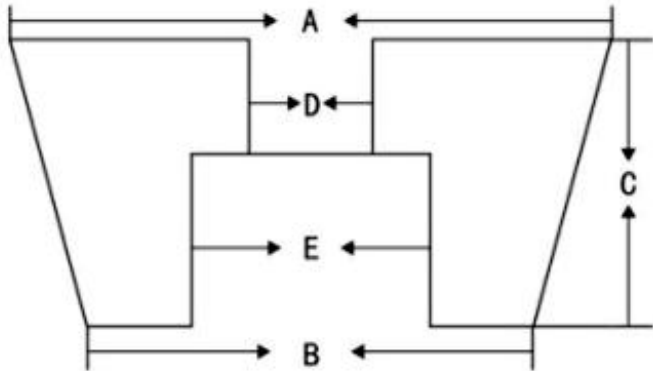
DESCRIPTION

Material : New Synthetic Rubber

Color : Black & White is available

Usage: They are applied to cabinets

electric appliances, instruments and
machines



Specification

Model (mm)	A	B	C	D	E
Φ 11*9*6	11	9	6	3	6
Φ 12*8*7	12	8	7	3	6
Φ 12*8*9	12	8	9	3	6
Φ 13*10*7	13	10	7	3	6
Φ 14*11*9	14	11	9	3	6
Φ 14*11*11	14	11	11	3	6
Φ 15*12*8	15	12	8	3	7
Φ 17*13*14	17	13	14	3	6
Φ 17*14*10	17	14	10	4	7
Φ 18*14*10	18	14	10	4	8
Φ 18*15*5	18	15	5	3	7
Φ 18*15*8	18	15	8	4	8
Φ 19*15*11	19	15	11	4	8
Φ 19*15*17	19	15	17	4	8
Φ 20*14*17	20	14	17	3	6
Φ 20*15*8	20	15	8	4	8
Φ 20*16*10.5	20	16	10.5	4	8
Φ 20*16*20	20	16	20	4	9
Φ 21*15*12	21	15	12	4	8
Φ 21*17*11	21	17	11	4	8
Φ 22*15*13	22	15	13	4	10
Φ 22*18*10	22	18	10	4	8
Φ 23*18*16	23	18	16	5	10
Φ 24*19*31	24	19	31	5	10
Φ 25*19*15	25	19	15	4	10
Φ 25*20*13	25	20	13	5	9
Φ 25*23*9	25	23	9	4	8
Φ 26*21*13	26	21	13	6	12
Φ 27*21*18	27	21	18	5	10
Φ 28*22*16.5	28	22	16.5	5	10
Φ 28*25*14	28	25	14	5	9
Φ 30*19*13	30	19	13	4	8
Φ 30*20*25	30	20	25	6	12
Φ 30*22*15	30	22	15	5	10
Φ 31*18*26	31	18	26	5	10
Φ 31*24*25	31	24	25	6	12
Φ 32*21*22	32	21	22	4	12
Φ 32*24*16	32	24	16	6	12
Φ 32*24*18	32	24	18	6	12
Φ 32*25*20	32	25	20	6	12
Φ 32*27*30	32	27	30	6	12
Φ 33*27*33	33	27	33	6	12
Φ 35*24*32	35	24	32	5	13
Φ 36*28*25	36	28	25	7	15
Φ 40*28*40	40	28	40	6	13
Φ 40*30*22	40	30	22	6	12
Φ 43*32*52	43	32	52	6	13
Φ 47*33*28	47	33	28	9	18
Φ 49*32*29	49	32	29	8	16
Φ 50*32*30	50	32	30	8	16
Φ 50*35*25	50	35	25	8	14
Φ 50*38*40	50	38	40	8	14
Φ 50*40*50	50	40	50	7	14