

Plastic Hole Plug



Material: UL listed Nylon PA66

Color: Black, white is available

Flame class: 94V-2

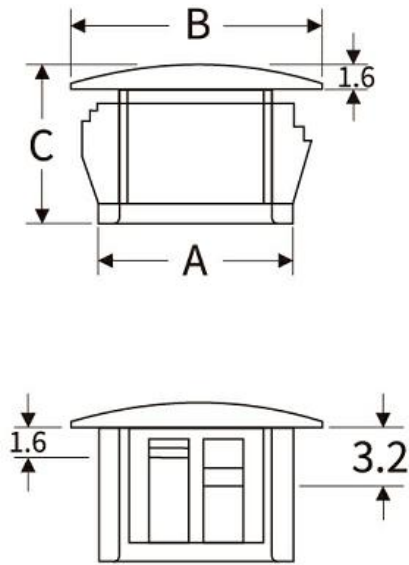
Feature: Oil and dust proof, anti-erosion

Usage: Push and press it on the hole of the panel.

Application: Apply to the thickness of 3.2mm of the panel.

Purpose: To fill into the hole of the panel, to make the surface of the panel smooth and good looking.

Physical Drawing:



Specification:

Unit (mm)

Model No.	A	B	C	Packing	Package Weight/Kg
SKT-5	5.0	6.8	7.7	1000PCS	0.115
SKT-6	6.0	7.9	7.7	1000PCS	0.14
SKT-8	7.8	10.4	8	500PCS	0.12
SKT-10	9.5	13.1	10.3	500PCS	0.21
SKT-13	12.7	16.6	10.3	500PCS	0.33
SKT-14	14.0	16.7	10.4	500PCS	0.34
SKT-16	16.0	19.7	10.2	500PCS	0.46
SKT-19	19.0	23.2	10.2	500PCS	0.62
SKT-20	20.1	23.7	10.1	200PCS	0.3
SKT-22	22.1	26	11.5	200PCS	0.36
SKT-25	24.7	29.3	11.4	200PCS	0.97
SKT-30	30.0	34.7	11.5	200PCS	0.59
SKT-38	37.5	42.4	11.4	200PCS	0.81
SKT-40	39.5	45.5	11.6	200PCS	0.92
SKT-45	44.5	49.7	11.8	100PCS	0.54
SKT-50	49.5	54.7	11.8	100PCS	0.61